

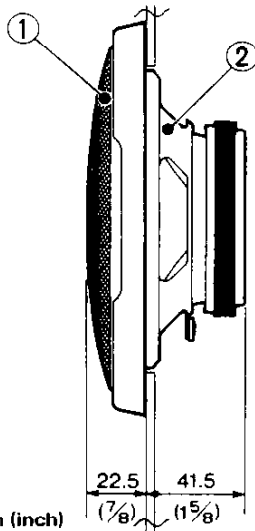
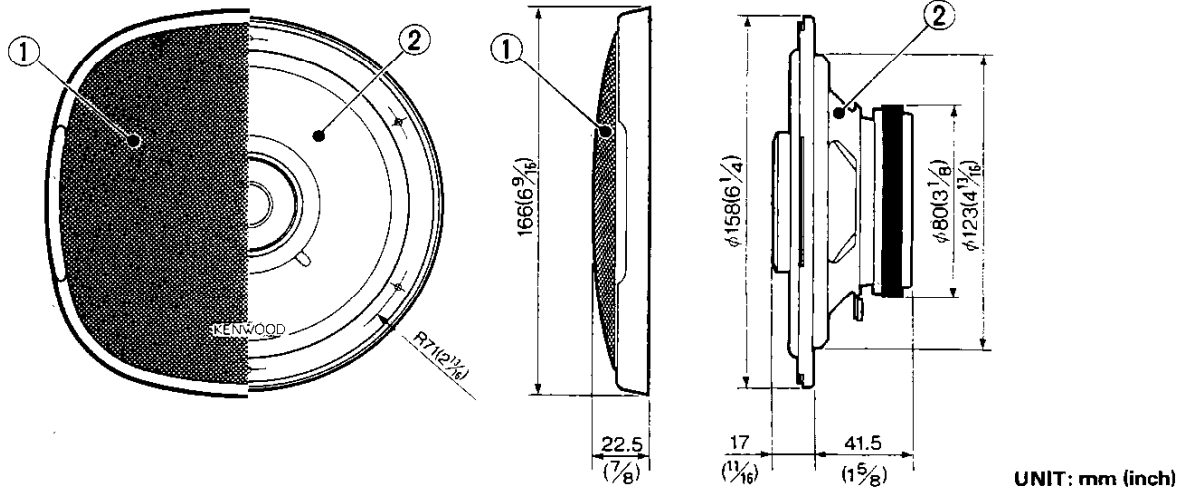
KFC-1672

SERVICE MANUAL

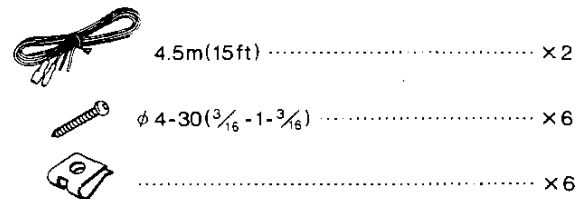
KENWOOD

©1988-10 PRINTED IN JAPAN
B51-3693-00(B)1878

EXTERNAL VIEW



PARTS INCLUDED



PARTS LIST

★ New parts
Parts without **Parts No.** are not supplied
Les articles non mentionnés dans le **Parts No.** ne sont pas fournis.
Teile ohne **Parts No.** werden nicht geliefert.

Ref No.	New Parts	Parts No.	Description
①	★	B06-0317-08	FRONT GRILLE
	★	E30-1236-08	CORD SET
	★	N99-1086-08	SCREW SET
②	★	T07-0124-08	SPEAKER

SPECIFICATIONS

Speakers	
Woofer	16cm(6in) Water proof treatment 167(6oz) Magnet
Mid-Range	5cm(1 15/16in) cone type
Peak input power	90 Watts
Frequency Response	50Hz ~ 20,000Hz
Sensitivity	90dB/W at 1m
Impedance	4 ohms
Weight per speaker with grille	0.78kg(1 lb 11oz)/pc

We follow a policy of advancements in development.
For this reason specifications may be changed without notice.